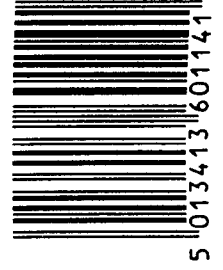
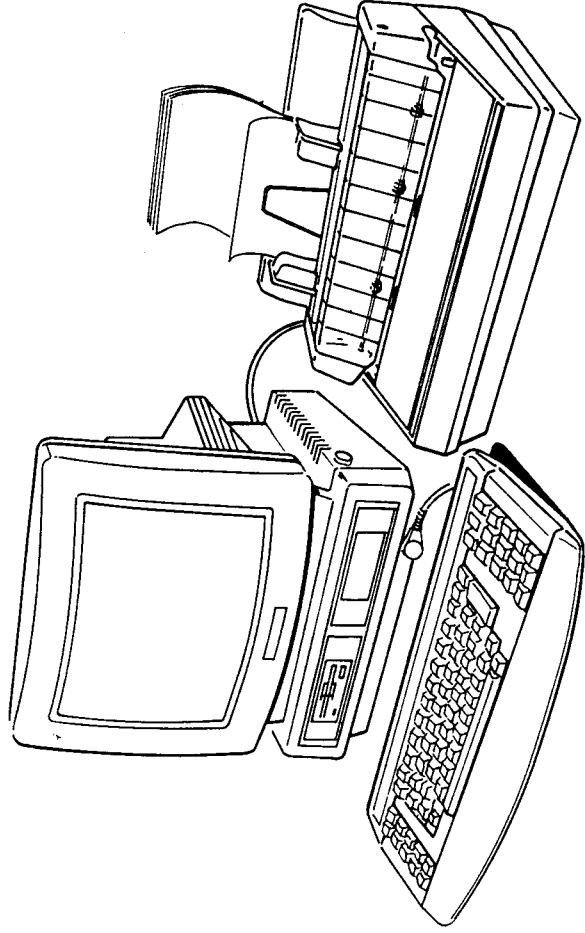


Instructions for the PCW9512 Sheet Feeder and New Features of LocoScript (version 2.29)

22



ASF9512 070789

2440101B

[N]

© 1989 AMSTRAD plc

Neither the whole nor any part of the information contained herein, nor the product described in this manual may be adapted or reproduced in any material form except with the prior written approval of the copyright holder.

The product described in this manual and products for use with it are subject to continuous development and improvement. In particular, there may be small differences between the messages displayed on your screen and those shown here.

All information of a technical nature and particulars of the product and its use (including the information and particulars in this manual) are given by AMSTRAD in good faith. However, it is acknowledged that there may be errors or omissions in this manual.

AMSTRAD welcomes comments and suggestions relating to the product or this manual. All correspondence should be addressed to:

Amstrad Information Centre
1 St. James's Road
BRENTWOOD
Essex CM14 4LF

Telephone: 0277 230222
Fax: 0277 222117

All maintenance and service on the product must be carried out by AMSTRAD authorised dealers. AMSTRAD cannot accept any liability whatsoever for any loss or damage caused by service or maintenance by unauthorised personnel. This manual is intended only to assist the reader in the use of the product, and therefore AMSTRAD shall not be liable for any loss or damage whatsoever arising from the use of any information or particulars in, or any error or omission in, this manual or any incorrect use of the product.

Written by Susan Vass, AMSTRAD plc
Published by AMSTRAD

First published 1989
Second edition 1989

PCW9512 is a trademark of AMSTRAD plc
LogoScript, LogoScript 2, LogoSpell are trademarks of Locomotive Software Ltd.
CP/M, CP/M Plus are trademarks of Digital Research Inc.
LOCOMOTIVE is a registered trademark of Locomotive Software Ltd

AMSTRAD is a registered trademark of AMSTRAD plc
Unauthorised use of the trademark or word AMSTRAD is strictly forbidden

ru

Preface

This booklet explains how to use the PCW9512 Automatic Sheet Feeder, which is designed specifically to fit onto the PCW9512 Printer. Instructions on how to operate the sheet feeder using both LocoScript and C/P/M are given, with an example that you can follow using LocoScript.

This booklet also describes some new features which have been added to the current version of LocoScript to make version 2.29. It is written to supplement the PCW9512 User Instruction manual in which LocoScript features are described comprehensively. If you have never used LocoScript before, read the PCW9512 User Instructions first.

ru

Contents

Specification	1
Setting up the ASF9512	3
Introduction	3
Contents of the package	3
Hardware Installation	3
Loading paper into the sheet feeder	4
- Paper size and orientation in the sheet feeder	6
- Changing the printer ribbon while the sheet feeder is fitted	7
- Changing the printer ribbon while the sheet feeder is fitted	8
Using LocoScript v.2.29 with the ASF9512	11
Using LocoScript Paper Type Options with the ASF9512	12
Paper Feeding while printing	15
Disabling the Sheet Feeder within LocoScript	16
"\"No paper\" Messages	17
Using CP/M to control printing with the ASF9512	19
Selecting the Sheet Feeder from within Printer Control State	20
Enabling the sheet feeder using CP/M Plus utilities	21
Escape Sequences for the Sheet Feeder	22
LocoScript Features Version 2.29	24
Improved Features	24
- Using LocoScript Options to adjust the Top Margin	24
New Features	25
- Sticky Shift Keys	25
- Large Edit Characters	26
- Automatic Additions to the User Dictionaries	27
- Remove the Current Set	28
Using Locofile with LocoScript v.2.29	30
Software Licence Agreement	32

m

Specification

Weight 1.63 Kg
Width 45.5 cm (same as PCW printer)
Height 27 cm (including detachable paper rest)
Total height when fitted 36.5 cm

Software 2 disks containing:

- The new version of LocoScript (V 2.29), modified for use with ASF9512 and including several new features.
- CP/M Plus version 2.9 with added support for ASF9512 allowing it to be used by CP/M Plus programs.

Paper Weight: 65-82 gsm
Size: A4 Portrait, A5 Landscape
Quantity: 30 pages maximum

Setting up the ASF9512

Introduction

This sheet feeder can only be used with the PCW9512. It can be operated by LocoScript and CP/M. Below is a description of how to install the sheet feeder and an example demonstration of how to operate the hardware using LocoScript. The information you need to operate the sheet feeder using CP/M is given later in the booklet.

Contents of the Package

Check that your package contains the following items:

- A Sheet Feeder
- Two Floppy Discs
- A Paper Rest
- A Metal Paper Separator

Note that the paper rest and separator are attached to the polyfoam packing.

Hardware Installation

Fit the sheet feeder to a PCW as follows:

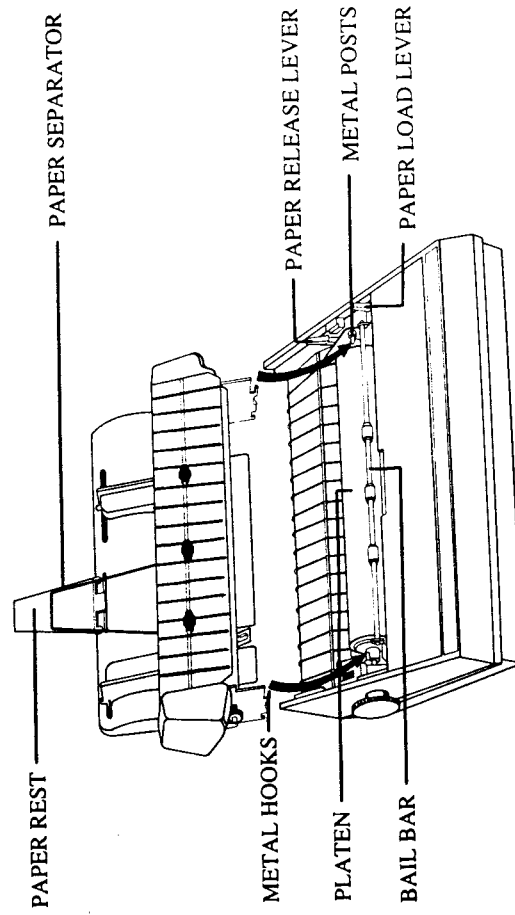
Remove the back paper tray which covers half of the top of the printer. To do this open the paper tray slightly and lift the left side out of the socket, and then lift the right side out of its socket.

Check that the paper release lever is pushed back, away from you.

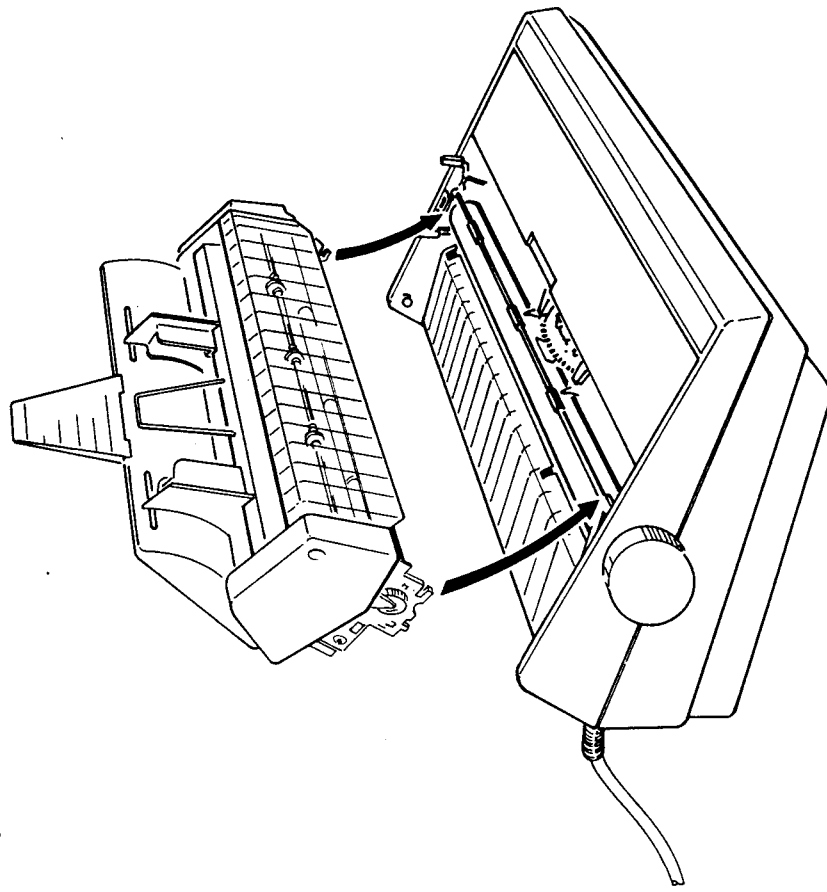
Pull the paper load lever back towards you so that the bailbar is away from the platen.

Use the diagram below to identify the relevant parts on your printer and sheet feeder:

the small metal hooks on the bottom of the sheet feeder and metal posts between the bail bar and platen on either side of your printer.



Hold the sheet feeder above the printer and tip it towards you slightly and lower the hooks onto the posts. You will only be able to see the hooks lower onto the posts if you look from the front of the sheet feeder and below the clear front panel. Once the sheet feeder is in the correct position above the printer, it will slot into place easily.



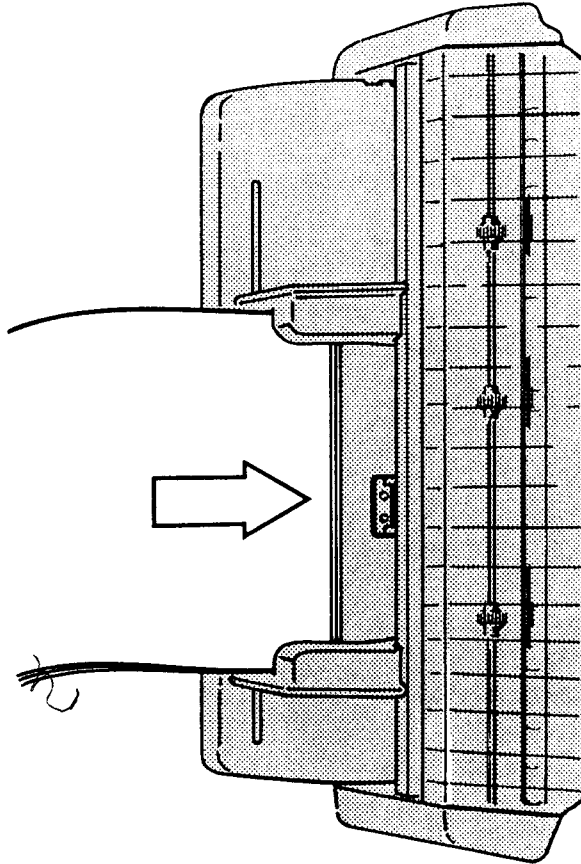
Slot the paper rest onto the back panel of the sheet feeder.

Clip the metal separator into the two holes in the metal plate at the front of the sheet feeder, behind the clear plastic panel.

Loading paper into the sheet feeder

The sheet feeder will hold up to 30 sheets of paper at once.

Fan the paper before loading, to ensure that the sheets are separated.



Adjust the paper guides to hold the paper squarely, but not tightly, in the feeder.

As with all mechanical sheet feeders, you will sometimes find that a sheet will 'stick' or be fed incorrectly, this is most likely to happen when the last sheet is fed. To help prevent this keep the feeder well loaded.

Paper size and orientation in the sheet feeder

* A5 paper can be printed only in the Landscape orientation because the minimum width allowed between the paper guides is 6 1/4".

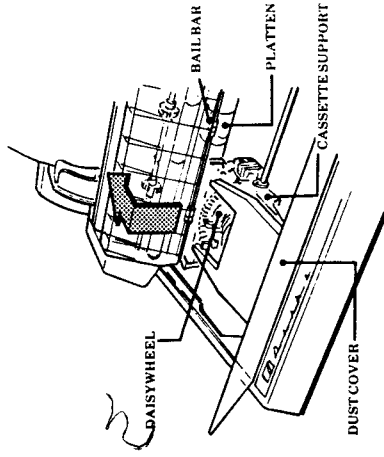
* A4 paper should be printed in Portrait orientation for best effects.

* The paper sensor is always enabled when the sheet feeder is fitted and it does not matter whether the **Ignore Paper Sensor** option has, or has not, been selected in the **Paper Type** menu. For more information, see Session 20 of your PCW9512 User Instructions

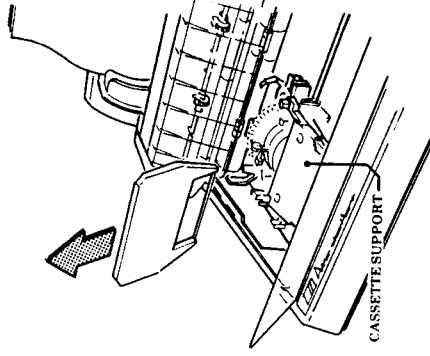
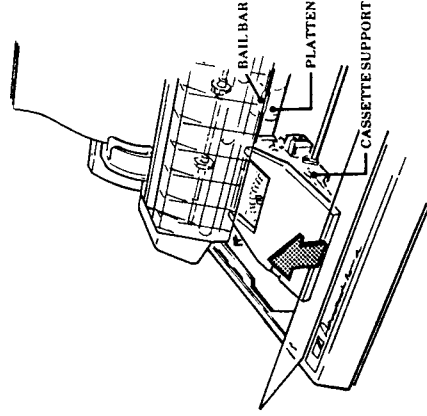
The default setting is the **A4 Portrait** option, so for this demonstration you do not need to alter any LocoScript options.

Changing the printer ribbon while the sheet feeder is fitted

Open the dust cover. Push the bail bar back to the platen then push the printer ribbon cassette upward and forward slightly, between the bail bar and the hood of the sheet feeder.



To remove the printer ribbon, lift the rear of the ribbon cassette upwards and away from the platen.



To replace the old ribbon cassette, lower the new cassette into the printer, placing the front end of the cassette between the bail bar and the hood of the sheet feeder. Then move the cassette backwards slightly and lower it until the cassette lugs fit into place. Then close the dust cover.

Using LocoScript v. 2.29 with the ASF9512

1. Switch on the PCW by pressing the power switch on the back panel of the monitor.
2. Select the disc which contains LocoScript Version 2.29, provided with the ASF9512.

This new version of LocoScript, supplied with this ASF, has the sheet feeder mode selected as a default setting of printer options, so there is no need to inform LocoScript that the Sheet feeder is fitted. Previous versions of LocoScript do not include a facility to control printing with a sheet feeder so be sure to always use this disc when operating the sheet feeder.

3. Load LocoScript using this disc by inserting it into the floppy disc drive with the label uppermost.

After a while, the Disc Management Screen will be displayed, and you can prepare to print a document.

4. Before printing, check that you are using the correct Paper Type options.

On subsequent occasions, you may find the printer has a piece of paper already loaded in the correct position, left over from the last printing session. You will still get the message, "Paper Please". This is because the sheet feeder cannot detect the position of the paper when it is first switched on, but instead of loading a new sheet of paper, you can tell the printer that the paper is already loaded in the correct position by pressing the **PTR** key and the **Set** key [+]. The message will then clear.

Do not attempt to adjust the position of the paper by hand, use LocoScript to do this for you. Adjust the position at which printing starts by increasing the Header Zone in your document, or by adjusting the Top of Form position as described below. You could also insert blank lines at the top of your letter during editing. Refer to Session 17 of your PCW9512 User Instructions to find out how to adjust the Header Zone.

Paper feeding while printing

You will notice that paper is not fed through the sheet feeder in one smooth movement. It is normal for paper to be fed at various speeds, depending on the vertical position of the paper, as follows:

- Vertical feeding is performed at full speed from the Top of Form position until the last four inches of the sheet are fed.
- Feeding slows down when the last four inches of the sheet are reached, until the sensor detects the end of the sheet.
- When the gap is detected, feeding slows down further.
- As soon as the edge of the next sheet is detected exactly, feeding is performed at full speed again.
- Before the current sheet is ejected, the print head moves to a point four inches from the leftmost print position. This prevents the next sheet from getting stuck in the bail bar.

Disabling the sheet feeder within LocoScript

To disable the sheet feeder, you must de-select the sheet feeder in the Options for PCW9512 menu. There are two ways to do this:

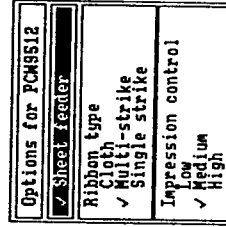
* If you want to disable the sheet feeder temporarily, for example, you may want to print one document on continuous paper and then return to printing all documents on single sheets. Press the **PTR** key and then press the **F8** key by pressing shift [**↑**] and **F7**. Then de-select the **Sheet Feeder** option by pressing the Clear key [-]. The tick will then disappear. To re-enable, press the [**+]** key. See Session 4, **Adjusting the print strength** in your PCW9512 User Instructions for more information about this menu.

Then press **ENTER** and **EXIT**.

OR

* You may want to disable the sheet feeder indefinitely, so that every time you switch on the PCW, the sheet feeder will not be enabled. You would then have to re-enable the sheet feeder again, if you want to use it. This method involves changing the printer default settings. Press the **F6** key and choose the **Printer defaults** option and then choose **Printer Options**, to display the **Sheet Feeder** option. Then de-select the sheet feeder by pressing the Clear key [-]. To re-enable the option press the Set key [**+]** and the tick will re-appear.

See the section called **Setting Printer Defaults** in Session 23 of your PCW9512 User Instructions for more information.



“No paper” Messages

You may receive a “No Paper” message when paper is loaded in the sheet feeder. This is because it is not loaded properly. A maximum gap of 1.5 inches is allowed between sheets. If a following sheet is not then detected, the hopper is assumed to be empty. The message “Paper Please” will be given on the Top Status line, and the message “No Paper” will be given on the Printer Status line after pressing the **PTR** key.

To continue printing the document, proceed as follows:

1. If printing on the current page was incomplete, press the **PTR** key and then the **F1** key. Select the **Finish Page** option, press **ENTER** then **EXIT**. When the printer finishes printing this page, it will be in the **No Paper** state.
2. Check that the paper in the sheet feeder hopper is stacked correctly, then load a sheet by pulling the bail bar forward and releasing it (do not push it back against the platen).
3. Press **EXIT** and the document will continue to be printed.

Using CP/M to Control Printing with the ASF9512

It is also possible to use the PCW 9512 printer with the sheet feeder under CP/M version 2.9 or later. The supplied disc has the sheet feeder enabled as a default setting.

Using CP/M, there are three ways in which the sheet feeder may be selected:

1. From within the Printer Control State which is accessed by pressing **PTR**.
2. By running the CP/M utility programs DAISY.COM, MATRIX.COM, or PAPER.COM.
3. By sending escape sequences from within programs running under CP/M.

Selecting the sheet feeder from within Printer Control State

To Select the Sheet Feeder mode, first press the **PTR** key and the **Paper Sheet Mode** options will appear. Select the Sheet feeder option from the second display line. For detailed information about this screen, see Appendix II, **The Printer Control State**, in your PCW9512 User Instructions.

Check that paper is loaded correctly in the hopper. If the message "Waiting for paper" is displayed on the printer Status line 1, the paper sensor detects that paper is present, but cannot detect the vertical position of the sheet. When you are happy with the position of the paper, use the cursor keys to move the highlighting cursor over the "Waiting for paper" message and press the clear key [-]. You may also see the message "Out of Paper", in which case, pull back the bail bar to load a sheet.

When the sheet feeder is selected, the paper sensor indicator, on Printer Status line 2, will automatically turn on. It cannot be turned off until the Paper Sheet mode is changed back to either the **Single sheet** or **Continuous** option.

Enabling the sheet feeder using the DAISY.COM, MATRIX.COM and PAPER.COM utilities

The above three programs are supplied with CP/M, and each program now includes an option which can control the printer with a sheet feeder. The option is called **Sheet Feeder**.

Note that the **Single Sheet** option now has the short form **SS** in all three programs and **Sheet Feeder** can be shortened to **SF**.

If you choose a Paper Type, such as **A4**, to use with the sheet feeder, you must specify the **Sheet Feeder** option after the **Paper Type** in the command line. If you specify the **Paper Type** after the **Sheet Feeder**, the sheet feeder will be disabled.

For example, to set up the printer to use Daisy emulation mode, with A4 paper from the sheet feeder, type:

DAISY A4, SHEET FEEDER

Then press the return [↵] key.

Escape Sequences for the Sheet Feeder

The escape sequences for enabling and disabling the sheet feeder are identical, in both DAISY and MATRIX emulations.

The following CPM escape sequences are compatible with other printers operating with sheet feeders.

Sequence	ASCII codes	Function
ESC EM 0	27 25 0	Disable sheet feeder, set 'single sheet'.
ESC EM 1	27 25 1	Enable sheet feeder.
ESC EM 2	27 25 2	Enable sheet feeder.
ESC EM 4	27 25 4	Enable sheet feeder.
ESC EM "R"	27 25 72	Form feed.

Any other code following the ESC EM codes causes all three codes to be ignored.

The ESC EM 1 and 2 sequences are included for the benefit of software expecting multi-bin feeders, but since the PCW9512 printer with the sheet feeder is a single-bin feeder, these sequences are simply treated as **enable sheet feeder**.

The ESC EM **R** sequence is a command which normally ejects a sheet without loading another; the form feed usually loads another automatically. When the PCW9512 printer sheet feeder is being used, it is not possible to eject a sheet without loading another automatically, so the ESC EM **R** sequence just acts as a form feed command.

LocoScript Features Version 2.29

* *Improved Features*

Using the LocoScript options to adjust the top margin

The default setting instructs the printer to start printing on the 7th line from the top of the sheet. The PCW printer cannot print above this level even if the setting is changed in LocoScript. Full background information to this feature is given in the PCW9512 User Instructions, Session 20, **Setting the Top and Bottom Gaps**.

On most printers, including the PCW printer, single sheets are loaded so that printing starts at just over an inch from the top of the sheet of paper. This position would be line 7 on 6 lpi spacing if printing began at the very top of the page. Any adjustments you make will automatically include this 7 line, Top of Form space.

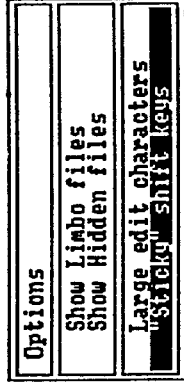
If the first printed line occurs too high or too low down the sheet for your requirements, you will need to change the Top of Form position. To do this select this option from the Printer Options menu.

If, for example, you want your first printed line to appear at line 10, on a sheet of A4 paper, where the top of form line is set to line 7, you must instruct the printer to start printing on line 10 to feed through an extra 3 lines. If you wanted to start printing on line 3, that is, above the Top of Form line, you could only do this if your printer can grip and print on this area of the sheet. The PCW9512 printer cannot do this. If you instruct it to print in this area, it will start printing as near to the top of the page as it can, which will be line 7. You must therefore, bear this in mind when setting up the paper type, or the whole document could be mis-paginated.

If you are using a printer other than the PCW printer, that can hold the paper and print above this line 7, the top of form line can be set in the range 1 to 15.

* *New Features*

Two of the new features, Sticky Shift Keys and Large Edit Characters, offer some support to disabled users. They are accessed from the F8 menu in the Disc Management screen.



Sticky Shift Keys

If you want to type an upper case character with one hand and without using the Caps Lock key, you can press the SHIFT key [↑], release it and then press the key with the upper case character you want. For example, to produce a \$ character, press the SHIFT key [↑], release it, then press the key which has the 4 and \$ characters on it.

These keystrokes would previously have produced the lower case character 4.

Note that this delayed shift effect will only be effective for one keystroke at a time.

This information can be enabled with the Options menu. From the Disc Management screen, press F8 and the Options menu will appear. Then select the option which says **Sticky Shift Keys**.

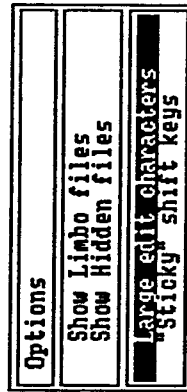
Large Edit Characters

The screen can now display characters which are twice the normal size of the usual character.

This feature should make editing easier for anyone who has difficulty working with the usual character size or anyone who spends long periods of time working with their screen.

Note that this feature is limited to document text which means that menus and screen information text remain the usual size and printed documents are not affected.

This feature is enabled using the Options menu. From the Disk Management screen, press **F8** and the Options menu will be displayed. Select the option which says **Large Edit Characters**.

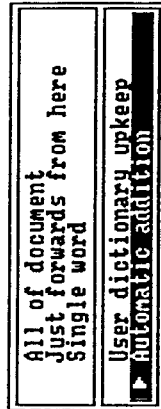


Automatic Additions to the User Dictionaries

When this option is enabled, unrecognised words which are not already listed in your dictionaries will automatically be added to the dictionaries. It is most useful for anyone who uses specialised vocabularies frequently in their documents, for example, medical, legal or computing personnel. The first time these new words are used, they will be listed in the dictionaries.

Be careful to check for spelling mistakes in your documents while this option is enabled, otherwise you could find mis-spelt words in your dictionaries!

To use this option, press **F7** and select the option called Automatic Addition.



Remove Current Set

In previous versions of LocoScript, it is possible to delete files on Drive M with the normal **erase** function.

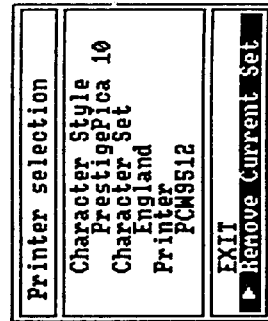
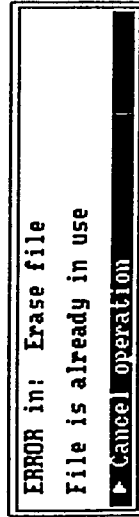
This version of LocoScript includes a change to the use of Drive M. You can no longer erase some of the printer files listed on Drive M.

When LocoScript is loaded, a printer driver is copied to Drive M so that if you want to print a document during the same session, that is, before you switch off the PCW, and the system disk has been removed, the PCW will still have this printer driver information stored in its memory, on Drive M, and will therefore still be able to control the printer. Once the PCW is switched off, the information on Drive M will be lost.

While printing, LocoScript keeps these printer files on drive M open, so that they can be accessed quickly.

This is a brief summary of the use of Drive M. For detailed information see your User Instruction manual, the section called **About disc drives** in Session 1.

The need to delete files on Drive M is quite rare but, at some stage, you may want to erase one of these open files to make space on Drive M, either because the Drive is full or because you want to make disk copying easier. If you try to remove files using the usual **erase** functions this new version of LocoScript will produce an ALERT message which says that the file is already in use.



So now you have to issue a special instruction to LocoScript telling it to close the file; it can then be deleted with the normal **erase** function. To do this, press **PTR**, then **F5** and select the **Remove Current Set** option which frees the currently open printer character set file. Press **EXIT** to leave the Printer Control State.

The only disadvantage of this is that until you re-select a printer and character set, all **print** options will disappear.

Using LocoFile with LocoScript v.2.29

You may already have a copy of Locomotive's database/cardfile program, LocoFile. If you wish to use LocoFile with this version of LocoScript, copy a file called LOCOFILE.JOY from the disc on which LocoFile was supplied, to the disc which contains LocoScript v.2.29.

Software Licence Agreement

VERY IMPORTANT

The following Software Licence Agreement applies to all Amstrad software, Locomotive software and Digital Research software described in this manual.

Amstrad provides the Software and the Program described in this manual incorporated in or embedded on magnetic disc, tape, hard disc or other media and the descriptive material related to that Program in this manual or in other documents strictly subject to the terms and conditions of this Licence Agreement.

By breaking the Seal on the package in which the Software is provided and/or by entering, utilising, running, listing, copying or otherwise manipulating the magnetic disc, tape, hard disc, other media, Program, manual or other documentation other than for the purpose of erasure or destruction as set out below you agree to be bound by all the terms, and conditions of this Licence Agreement.

If you do not agree to be bound by any one or more of the terms and conditions of this Licence Agreement you must destroy the Software Package, manual and documents and erase the Program and Software from the disc, tape, hard disc or other media on or in which it is incorporated or embedded.

Definitions

1. Machine means the single microcomputer, or PC on which you use the Software. Multiple CPU systems require additional licences.
2. Software means the set of programs, disks, tapes, documentation and related materials accompanying .in, with this package or to which this manual relates.
3. Program is a part of the Software and means the instructions, codes, messages or other information contained in, or embedded on magnetic disc, tape, hard disc or any other media, or any part of it.
4. Amstrad means AMSTRAD PLC, 169 Kings Road, Brentwood, Essex CM14 4EF.
5. Licensee means the purchaser if purchased for own use or, if purchased for company use, the purchaser, that company and its employees.

Licence

Amstrad grants a non-exclusive Software Licence to Licensee to:

1. Use the supplied Program on a single Machine.
2. Where copy protection is not incorporated, copy the Program into any machine-readable or printed form for backup or modification purposes in support of Licensee's use of the Program on a single Machine. Licensee may make only one (1) copy of the Program for such purposes. Copying of documentation and other printed materials is prohibited. Disassembly, reverse compilation and reverse engineering of the Program or Software is prohibited.

Terms

1. Software supplied by Amstrad is copyright. Licensee agrees to uphold these copyrights.
2. This Licence Agreement enters into effect at the time you open or break the seal on the Software package, or enter, use, run, list, copy or otherwise manipulate the Program, and is effective until terminated.

3. Licensee may terminate this Licence Agreement at any time by destroying the Software together with all copies. The benefit derived by Licensee from the Licence will terminate automatically if the terms of this Agreement are violated and Amstrad may demand the return of the Software immediately. Any such termination shall be without prejudice to any accrued rights of the parties.

4. This Licence is personal to Licensee and may not be assigned to any other person, persons or company.

5. The right to lend, hire, rent, sell or otherwise transfer the Software in part or in whole is not granted to Licensee.

6. Licensee may not use, copy, modify or transfer the Software or documentation, or any copy, modification or merged portion, in whole or in part, except as expressly provided for in this Licence Agreement.

7. The Program cannot be transferred via any media other than that on which it is supplied. It cannot therefore be transferred via such media as telecommunication lines.

8. Licensee agrees to take all possible steps to protect the Software from unauthorised use, reproduction or distribution.

Limited Warranty

THE SOFTWARE IS PROVIDED AND LICENSED ON AN "AS IS" BASIS. LICENSEE ASSUMES RESPONSIBILITY FOR SELECTION OF A PROGRAM TO ACHIEVE LICENSEE'S INTENDED RESULTS AND LICENSEE IS RESPONSIBLE FOR INSTALLATION USE AND RESULTS OF USE. EXCEPT AS IS HEREIN EXPRESSLY STATED, AMSTRAD MAKES NO REPRESENTATION, GIVES NO WARRANTY AND ACCEPTS NO CONDITION OF ANY KIND WHATSOEVER EITHER EXPRESS OR IMPLIED, INCLUDING, BUT NOT LIMITED TO THE IMPLIED WARRANTIES AND CONDITIONS OF MERCHANTABILITY AND FITNESS FOR PURPOSE (SPECIFIC OR GENERAL).

AMSTRAD DOES NOT WARRANT THAT THE FUNCTIONS CONTAINED IN THE SOFTWARE WILL MEET LICENSEE'S REQUIREMENTS OR THAT THE OPERATION OF THE PROGRAM WILL BE UNINTERRUPTED OR ERROR FREE.

AMSTRAD DOES NOT RECOMMEND USE OF THE SOFTWARE FOR LIFE CRITICAL FUNCTIONS OR FOR ANY APPLICATIONS WHERE A SOFTWARE ERROR MAY CAUSE FINANCIAL LOSS, DAMAGE OR EXPENSE.

However, Amstrad gives a limited warranty that the disks, tapes or other non-hardware media on which the Program is embedded and supplied by Amstrad, to be free from defects in materials and workmanship under normal use for a period of ninety (90) days from the date of receipt by, of delivery to Licensee as evidenced by a dated copy of Licensee's proof of purchase receipt. In the event that the disks, tapes or other non-hardware media are found to be so defective within the said period, Amstrad will replace them free of charge, if they are returned postage prepaid.

Amstrad will also, AT ITS DISCRETION, by modification or alteration endeavour to remedy any Program errors, attributable to Amstrad, which are provable and demonstrable, and reported to Amstrad in writing within the aforesaid period.

Limitations

UNDER NO CIRCUMSTANCES WILL AMSTRAD, THE AUTHOR, OR THE MANUFACTURER, DEVELOPER OR SUPPLIER OF THE LICENSED SOFTWARE BE LIABLE FOR ANY CONSEQUENTIAL, INCIDENTAL, INDIRECT, SPECIAL OR EXEMPLARY DAMAGES OR OTHER ECONOMIC OR PHYSICAL LOSS, EVEN IF AMSTRAD OR SUCH OTHER PARTY(IES) HAS/HAVE BEEN ADVISED OF THE POSSIBILITY OF SUCH DAMAGES AND LOSS, UNDER NO CIRCUMSTANCES WILL LIABILITY EXCEED THE PURCHASE PRICE OF THE SOFTWARE.

Indemnity

The Licensee shall indemnify Amstrad in respect of any liability incurred by Amstrad or the Software author as a result of a claim brought by Licensee against Amstrad directly or against a third party, for negligence breach of contract or product liability.

Governing Law

This agreement shall be construed, interpreted and governed in accordance with the Laws of England.

General

No US technology, program or software may be exported or sold or transferred directly or indirectly to any person in the knowledge that export may occur without application for and obtaining necessary US Government Export or Re-Export license issued by the US Department of Commerce, Washington DC 20230.

AMSTRAD PLC
169, Kings Road,
Brentwood,
Essex, CM14 4EF.

LD 141 (12/88)
©1988. All rights reserved.